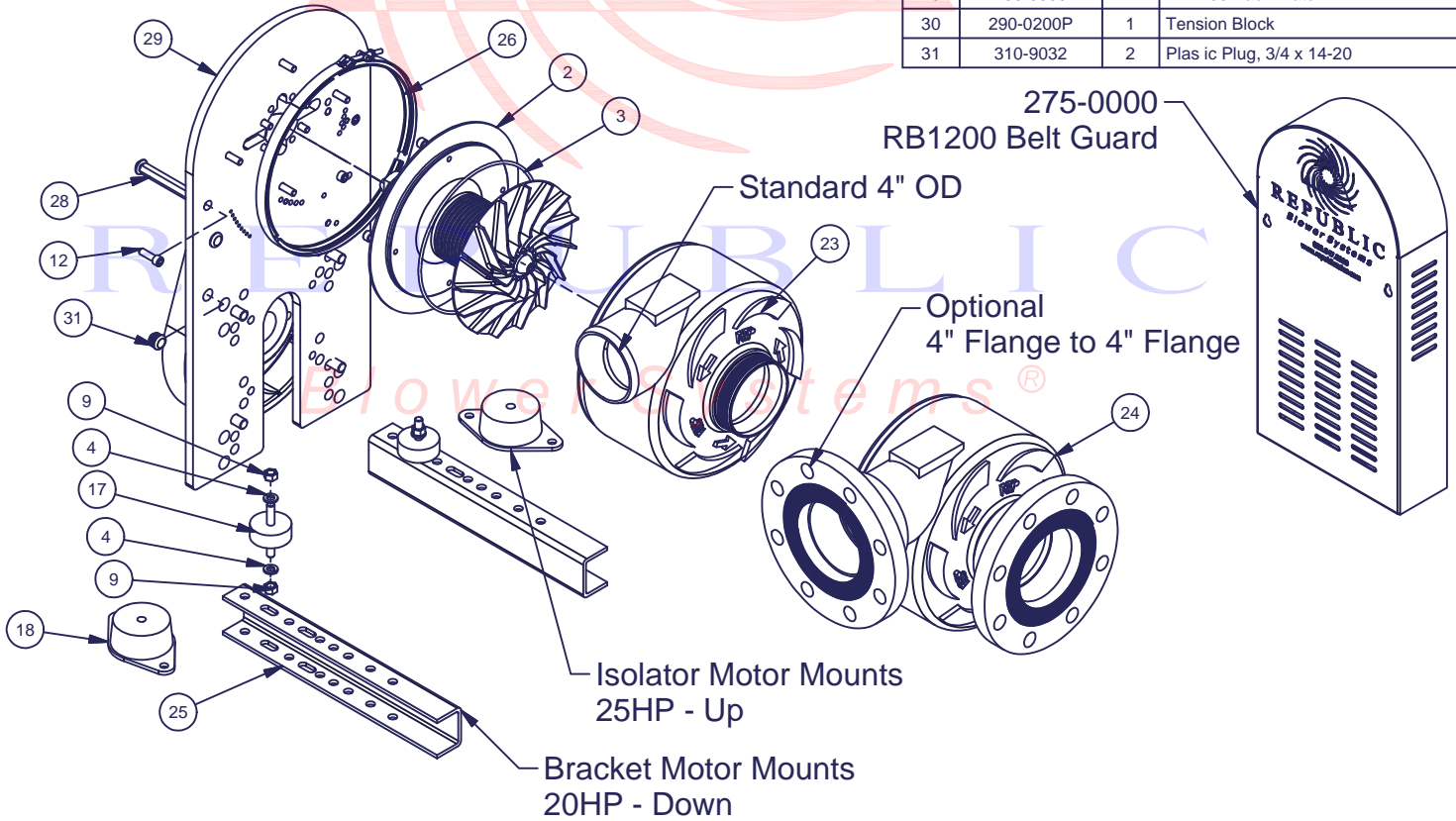


| Bill of Materials |             |     |                                   |
|-------------------|-------------|-----|-----------------------------------|
| ITEM              | PART NUMBER | QTY | DESCRIPTION                       |
| 1                 | 200-0206    | 1   | 5" Steel Dbl Brg. T. P. Assembly  |
| 2                 | 200-9xxx    | 1   | Bearing Housing Assembly          |
| 3                 | 210-0200    | 1   | O-Ring 265 Viton (Housing)        |
| 4                 | 210-0307    | 4   | 3/8 SS Split Lock Washer          |
| 5                 | 210-0308    | 4   | 1/2 SS Split Lock Washer          |
| 6                 | 210-0322    | 2   | Washer, 5/16-18 SS Flat           |
| 7                 | 210-0601    | 1   | Shoulder Bolt (Ext. Spring)       |
| 8                 | 210-0602    | 1   | Shoulder bolt SS 3/8 X 3/8        |
| 9                 | 210-0902    | 4   | 3/8-16 SS Hex Nut                 |
| 10                | 210-0903    | 1   | 5/16-18 SS Hex Nut                |
| 11                | 210-1005    | 2   | Set Screw 1/2-13 x 1" Soc Cup Pt  |
| 12                | 210-1602    | 11  | Screw, 5/16-18 x 1 SS SHC         |
| 13                | 210-1606    | 1   | Screw 5/16-18x2 SS HH Tap Bolt    |
| 14                | 210-1607    | 2   | Screw, SS 5/16-18 x 3/4 Button Hd |
| 15                | 210-1608    | 2   | 5/16-18 x 1/2 SS SHC Screw        |
| 16                | 210-1801    | 4   | Screw, 1/2-13 x 1.25 SS Hex Hd    |
| 17                | 210-2200    | 2   | Isolator Mount                    |
| 18                | 210-2201    | 2   | Isolator Mount, 661-30            |
| 19                | 210-2301    | 1   | Helicoil 3/8-16, 11856CN375       |
| 20                | 230-1025    | 1   | RB1200 Cast Motor Pulley          |
| 21                | 230-4003    | 1   | 1-5/8" Bore Taper Lock Bushing    |
| 22                | 230-4700K   | 1   | Kit (Belt w/ h Spring)            |
| 23                | 250-0300    | 1   | 4" Port CAST Blower Housing       |
| 24                | 250-0300FL  | 1   | RB1200 Blower Flange Hsg          |
| 25                | 250-0650    | 2   | Mount Motor                       |
| 26                | 250-0900    | 1   | Band Clamp                        |
| 27                | 275-0000    | 1   | RB1200 Belt Guard                 |
| 28                | 275-0100    | 2   | Stand-Off                         |
| 29                | 290-0000    | 1   | RB1200 Back Plate                 |
| 30                | 290-0200P   | 1   | Tension Block                     |
| 31                | 310-9032    | 2   | Plas ic Plug, 3/4 x 14-20         |



|                    |            |
|--------------------|------------|
| RB1200HC Retro Kit | 200-9600HC |
|--------------------|------------|