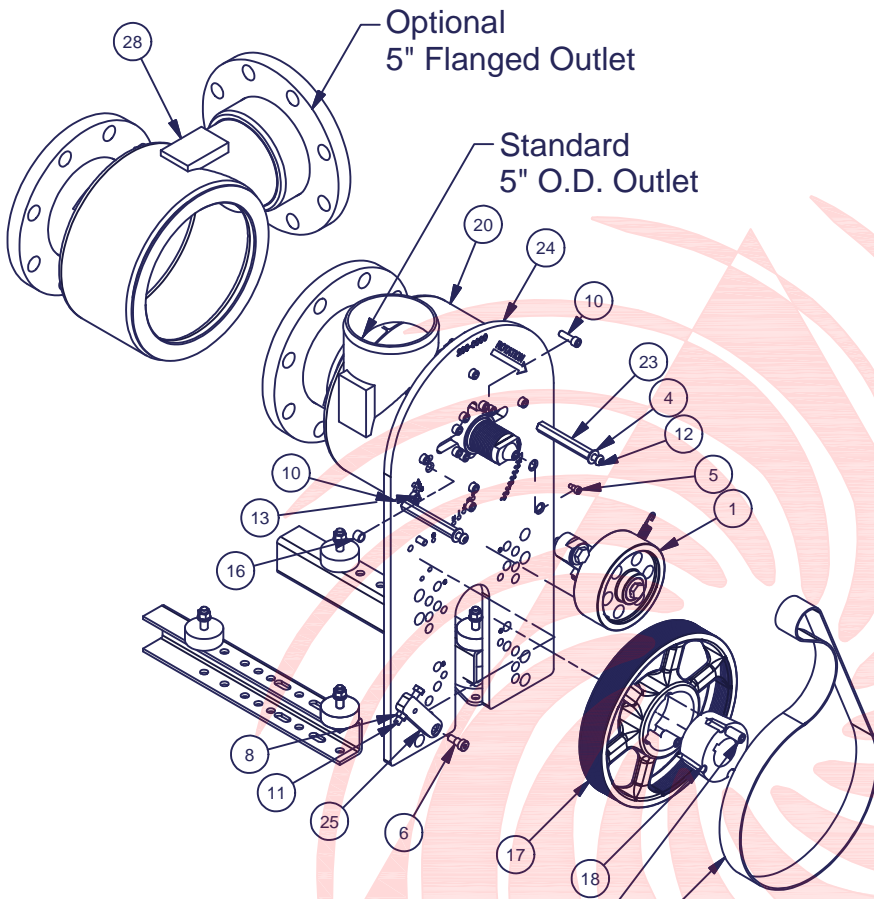
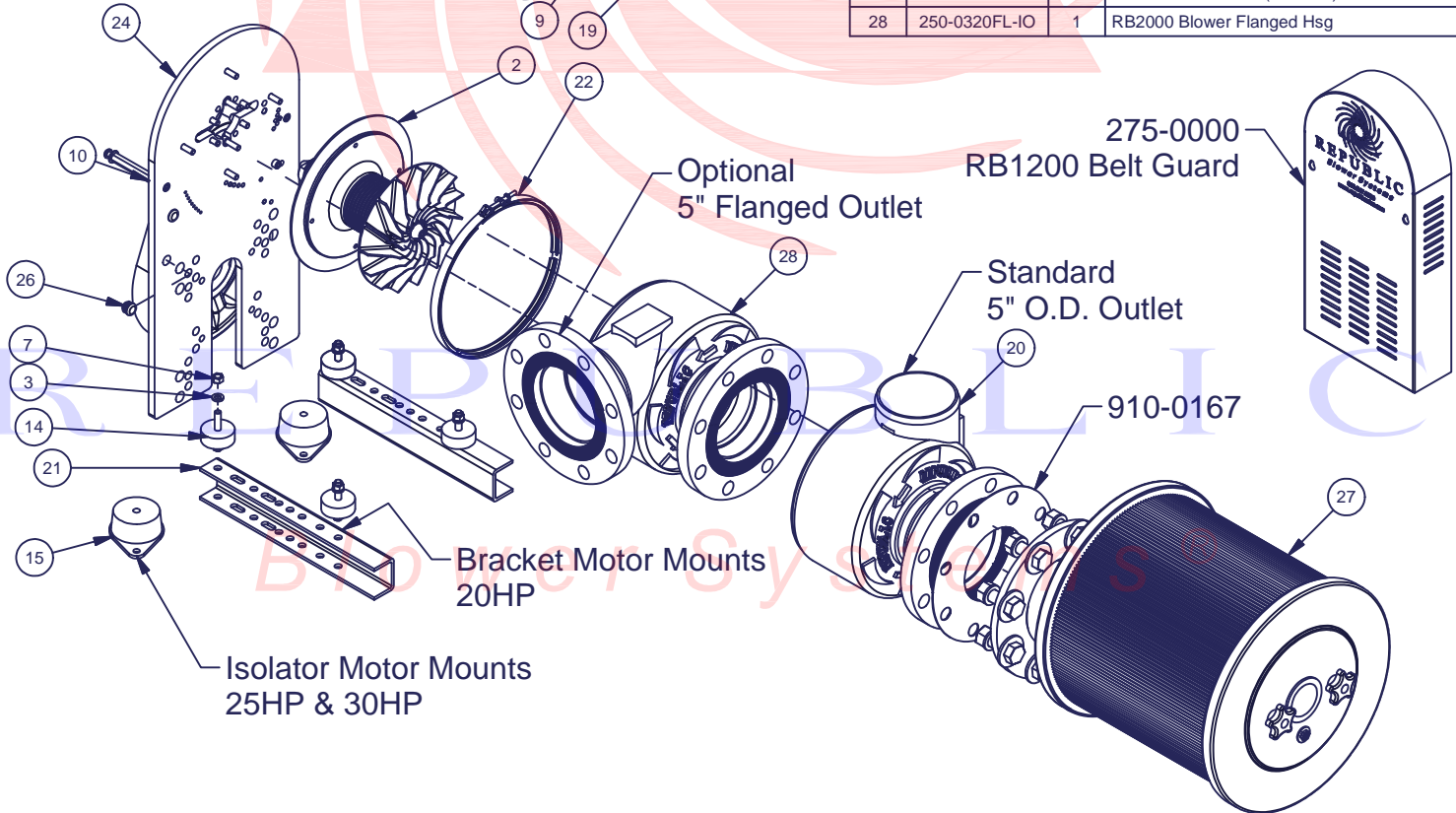




**REPUBLIC**  
Blower Systems®



Bill of Materials			
ITEM	PART NUMBER	QTY	DESCRIPTION
1	200-0206	1	5" Steel Dbl Brg. T. P. Assembly
2	200-2xxx	1	RB2000 Balanced H/C Bearing Housing Assy
3	210-0307	4	3/8 SS Split Lock Washer
4	210-0322	2	Washer, 5/16-18 SS Flat
5	210-0601	1	Shoulder Bolt (Ext. Spring)
6	210-0602	1	Shoulder bolt SS 3/8 X 3/8
7	210-0902	4	3/8-16 SS Hex Nut
8	210-0903	1	5/16-18 SS Hex Nut
9	210-1005	2	Set Screw 1/2-13 x 1" Soc Cup Pt
10	210-1602	13	Screw, 5/16-18 x 1 SS SHC
11	210-1606	1	Screw 5/16-18x2 SS HH Tap Bolt
12	210-1607	2	Screw, SS 5/16-18 x 3/4 Button Hd
13	210-1608	2	5/16-18 x 1/2 SS SHC Screw
14	210-2200	2	Isolator Mount
15	210-2201	2	Isolator Mount, 661-30
16	210-2301	1	Helicoil 3/8-16, 11856CN375
17	230-1025	1	RB1200 Cast Motor Pulley
18	230-4003	1	1-5/8" Bore Taper Lock Bushing
19	230-4700K	1	Kit (Belt with Spring)
20	250-0320FL	1	RB2000 Blower Flanged Hsg (Inlet Only)
21	250-0650	2	Mount Motor
22	250-0900	1	Band Clamp
23	275-0100	2	Stand-Off
24	290-0000	1	RB1200 Back Plate
25	290-0200P	1	Tension Block
26	310-9032	2	Plastic Plug, 3/4 x 14-20
27	340-1035	1	Filter Canister CRS (RB2000)
28	250-0320FL-IO	1	RB2000 Blower Flanged Hsg



RB2000 Retro Kit	200-2000
------------------	----------